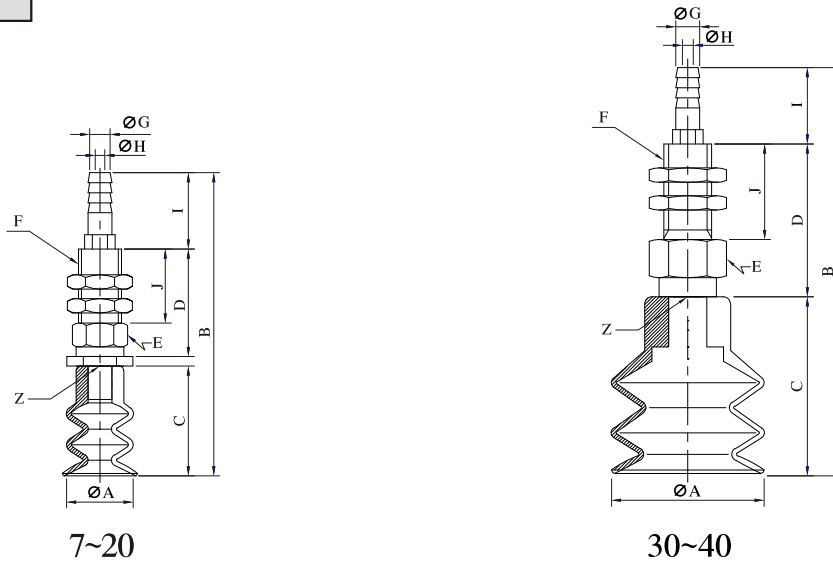


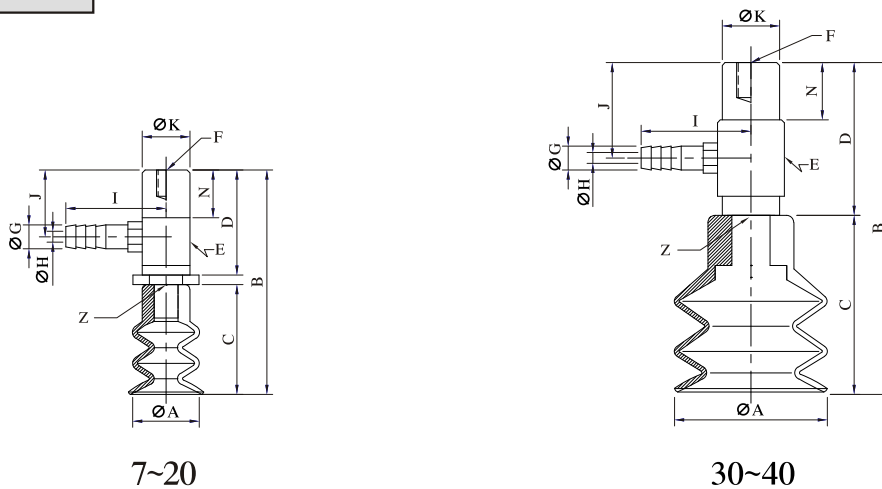
PCIK / PCLK Series

PCIK Series



PCIK	A	B	C	D	E	F	G	H	I	J	Z	질량(g)
PCIK-10	10	56	15	22	10H	M8	5	3	16	15	M5	
PCIK-15	15	64	23	22	10H	M8	5	3	16	15	M5	
PCIK-20	20	64	23	22	10H	M8	5	3	16	15	M5	
PCIK-30	31	86	37.5	32	14H	M10	5	3	16	20	M6/M8	
PCIK-40	42	95	46	32	14H	M10	5	3	16	20	M6/M8	

PCLK Series



PCLK	A	B	C	D	E	F	G	H	I	J	K	N	Z	질량(g)
PCLK-10	10	40	15	22	10H	M4-7	5	3	21	14	10	10	M5	
PCLK-15	15	48	23	22	10H	M4-7	5	3	21	14	10	10	M5	
PCLK-20	20	48	23	22	10H	M4-7	5	3	21	14	10	10	M5	
PCLK-30	31	71	37.5	32	14H	M6-8	5	3	23	20	12	12	M6/M8	
PCLK-40	42	79	46	32	14H	M6-8	5	3	23	20	12	12	M6/M8	